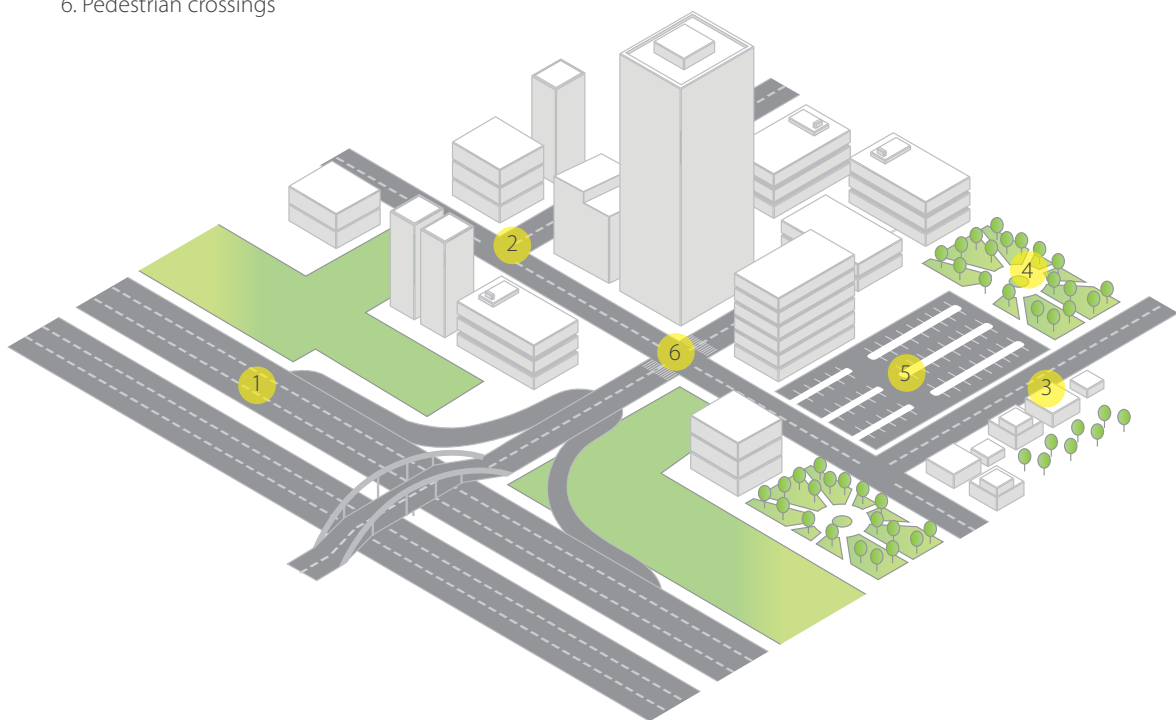


CUDDLE LED

- energy-saving and ecological light source
- modern and timeless design
- variety of optics
- aesthetic and durable finish
- resistance against corrosion and harmful external factors
- lamp life: L90F10 - 50 000h, L80F20 - 100 000h
- wide operating temperature range from -40° C to +55° C (48 W - 120 W), and from -40° C to +40° C (144W variant)

Application

1. Motorways and expressways
2. Urban roads
3. Residential streets
4. Pedestrian walkways
5. Parkings
6. Pedestrian crossings



Anodized aluminium body
Inox / black color, corrosion
resistance and decorative features

Overvoltage protection

Increases luminaire resistance against
electrical discharges up to 15 surges with
10 kV voltage

Philips Xitanium Driver

Highly efficient and programmable power supply with 7
programmable functions according to customer requirements

Available functions

- adjustable output current
- DALI interface or 1-10V (OPTION)
- programmable time profiles
- temperature control on the module
- power control of the luminaire using variable input voltage
- maintaining a constant luminous flux in time
- power reduction by connecting additional power line
(OPTION)

Interchangeable LED modules

Waterproof LED modules.
Available with 6 optical systems

Brackets

CUDDLE LED has a dedicated range of
brackets WR-19 and WR-21

Features

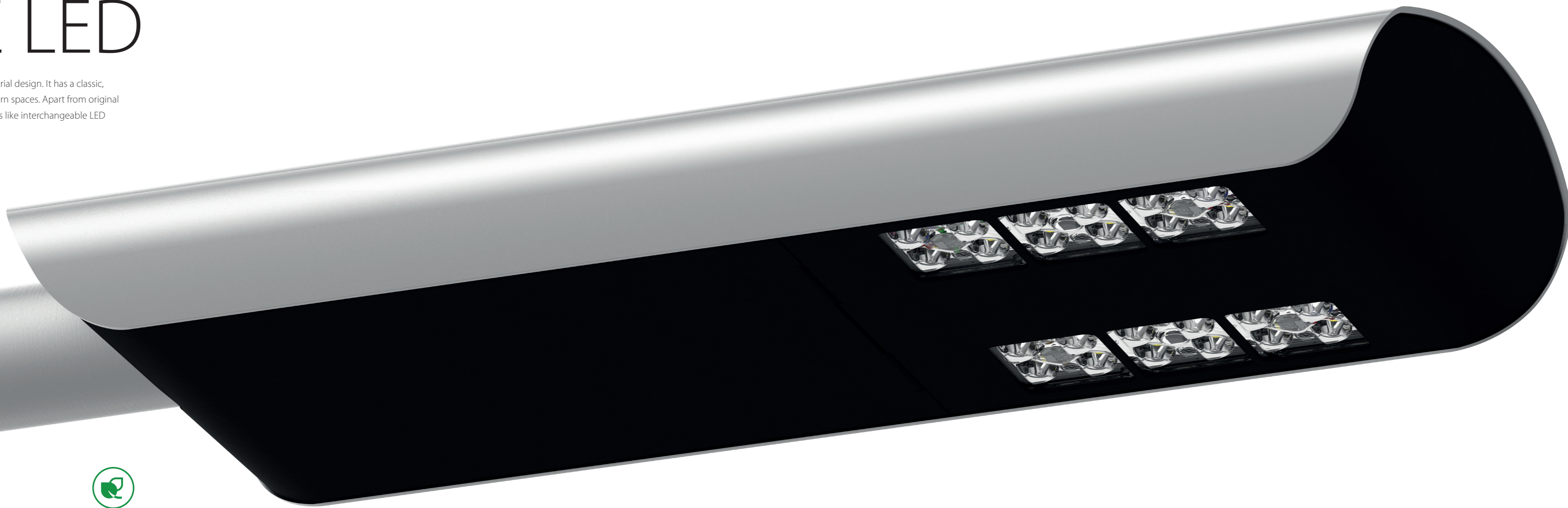
CUDDLE LED

The luminaire is designed according to the latest trends in industrial design. It has a classic, simple shape. Minimalist but also elegant form suitable for modern spaces. Apart from original design, CUDDLE LED has many solutions to lower operating costs like interchangeable LED module and possibility of connecting external control system.

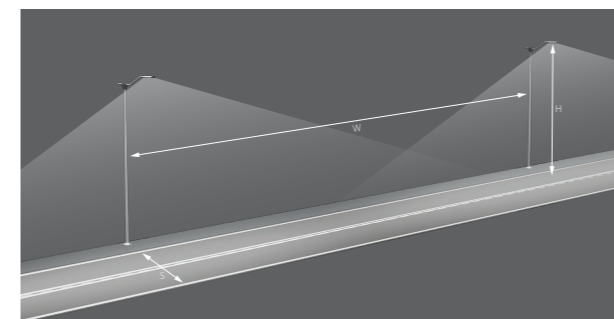


Environmentally friendly production and operation

Manufacturing process of CUDDLE LED is carried out with the use of energy efficient and sustainable methods. Aluminium housing is 100% recyclable. LEDs used do not emit UV infrared radiation and consume less energy compared to traditional light sources, resulting in reduction of CO₂ emission. Luminous efficacy at the luminaire level up to 136lm/W.



Lighting example



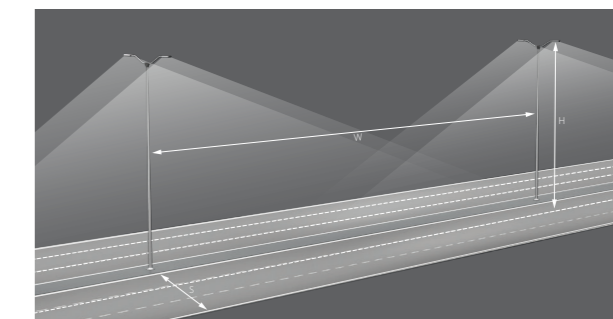
Two-lane road

CUDDLE LED 72W, optic T2

Parameters:

- H - luminaire mounting height: 8 m
- W - column spacing - 34 m
- S - road width - 7 m

LIGHTING CLASS M3



Six-lane road with green belt

CUDDLE LED 144W, optic T3

Parameters:

- H - luminaire mounting height: 12 m
- W - column spacing - 43 m
- S - road width - 10,5 m

LIGHTING CLASS M2

