

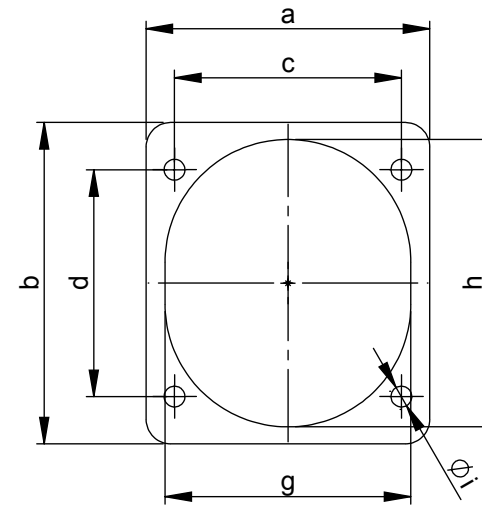
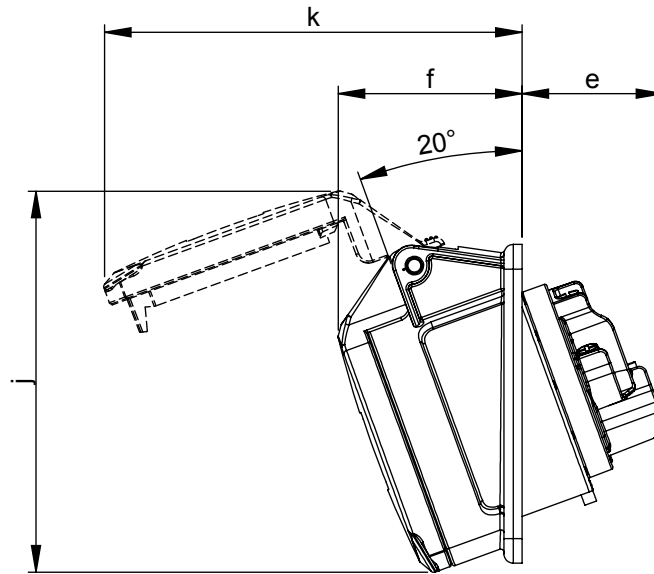
## Maßskizze / dimensional drawing

Benennung: Anbausteckdose schräg IP44 75x85

description: Flanged socket sloping IP44 75x85

Teilenummer / part number: 413-\*f87, 414-\*f87, 415-\*f87

PCE



| Ampere     | 16  |     |     |
|------------|-----|-----|-----|
| Pole       | 3   | 4   | 5   |
| a [mm]     | 75  | 75  | 75  |
| b [mm]     | 85  | 85  | 85  |
| c x d [mm] | 60  | 60  | 60  |
| e [mm]     | 38  | 38  | 39  |
| f [mm]     | 47  | 47  | 48  |
| g [mm]     | 51  | 56  | 65  |
| h [mm]     | 61  | 67  | 76  |
| i [mm]     | 5,5 | 5,5 | 5,5 |
| j [mm]     | 85  | 96  | 101 |
| k [mm]     | 99  | 104 | 111 |