

ROSA®



DAMA LED

# DAMA LED

- original design
- low operating costs
- minimalistic form
- high quality
- resistant to corrosion and harmful external factors

## Application

1. Office building surroundings
2. Urban infrastructure  
(train stations, subway, stations etc.)
3. Squares and green areas
4. Pedestrian ways
5. Shopping avenues



# Features

## **Overvoltage protection**

Increases luminaire resistance against electrical discharges up to 15 surges with 10kV voltage

## **Anodised aluminum body**

Available in 10 colours, each with possibility of chemical brightening

## **Power supply**

High performance LED driver with optional 1-10V interface

## **Optical system**

Colour temperature 5000K, 4000K or 3500K.  
Diffuser made of PMMA in two versions:

frosted



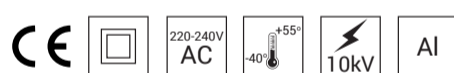
transparent





# DAMA LED

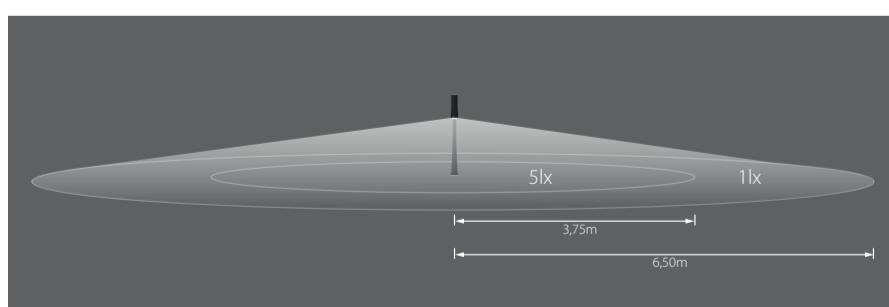
Gentle shape makes DAMA LED stand out from other products as a decorative element of urban squares and park avenues. LED module on the upper part of column causes the light to spread evenly creating a pleasant effect



## Environmentally friendly production and operation

Manufacturing process of DAMA LED is carried out with the use of energy efficient and sustainable methods. Aluminium housing is 100% recyclable. LEDs used do not emit UV infrared radiation and consume less energy compared to traditional light sources, resulting in reduction of CO2 emission.

## Light distribution



1 Strefowa Street, PL43109 Tychy, Poland

**Sales Department**

tel. +48 32 738 89 10 - 17

fax +48 32 738 89 09

e-mail: [dyrekcja@rosa.pl](mailto:dyrekcja@rosa.pl)

[www.rosa.pl](http://www.rosa.pl)

